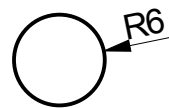
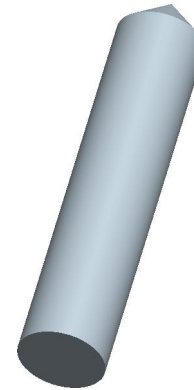
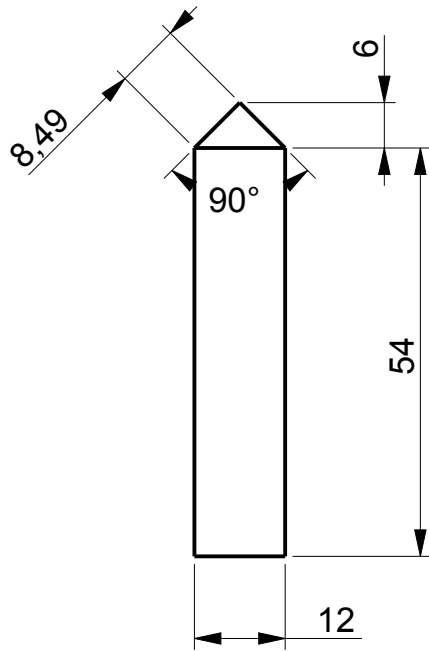
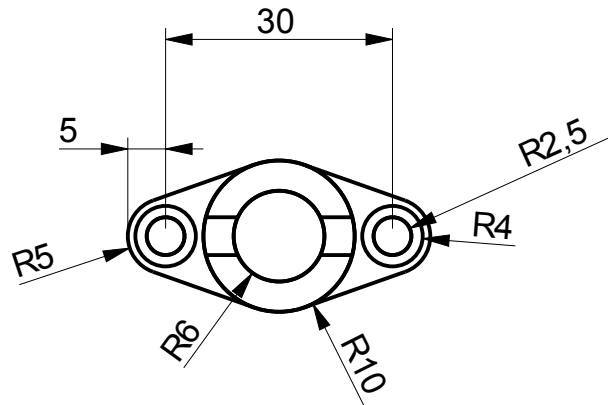
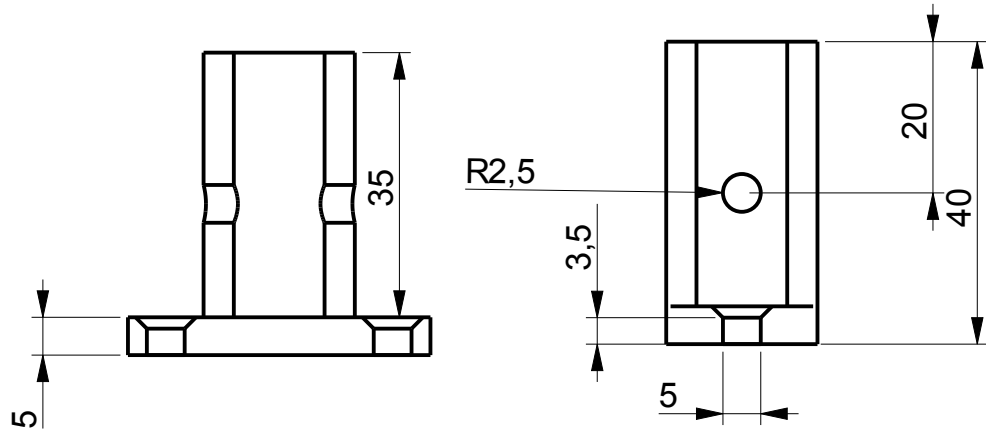


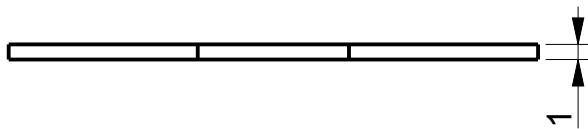
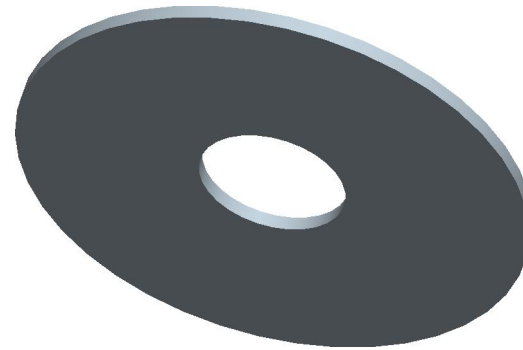
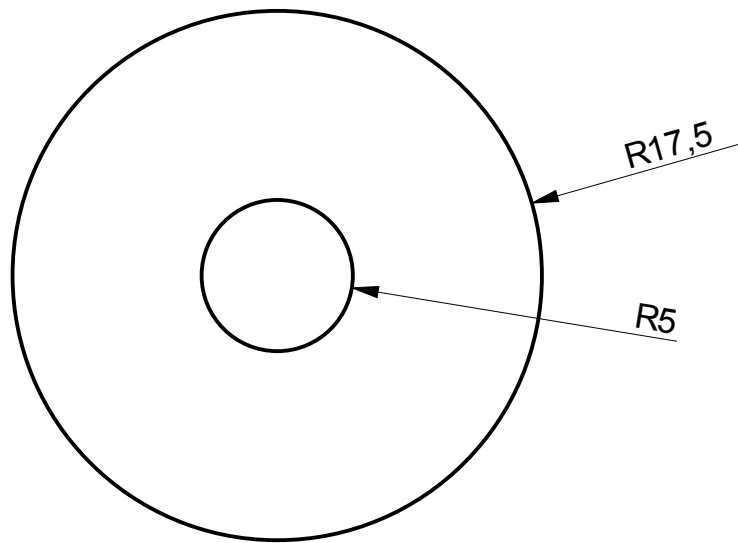
ALL DIMENSIONS IN MM	QUANTITY: 4	DRAWN BY OSAMA SHAKEEL 13-MS-FT-AMD-03	UNIVERSITY OF ENGG AND TECH TAXILA		
	TOLERANCES LINEAR: ANGULAR:	MATERIAL:	DATE : 19 NOV 2014	PART NAME:BED MOUNT SCREW	
	FINISH:AS MACHINED	CHECKED BY	SCALE: 2	SHEET NO	1



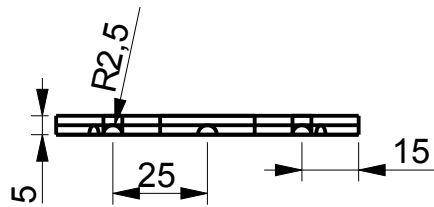
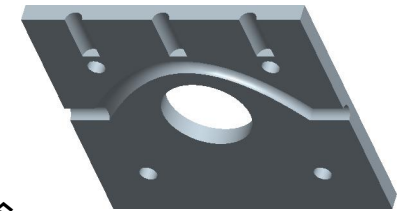
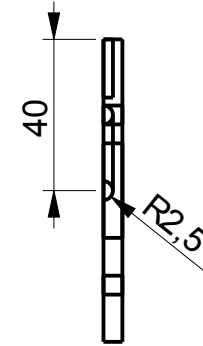
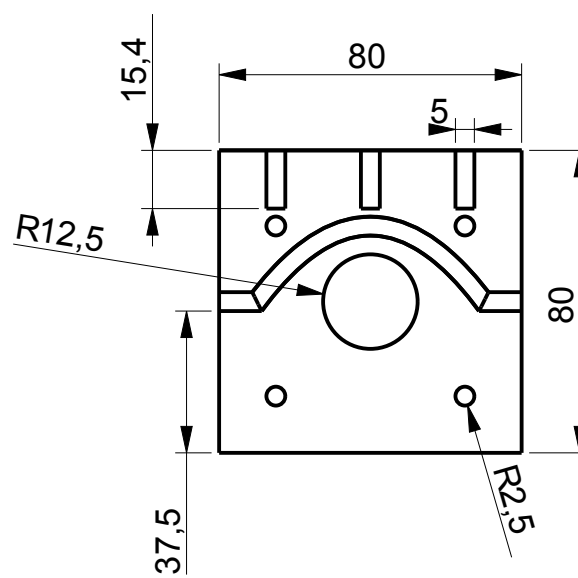
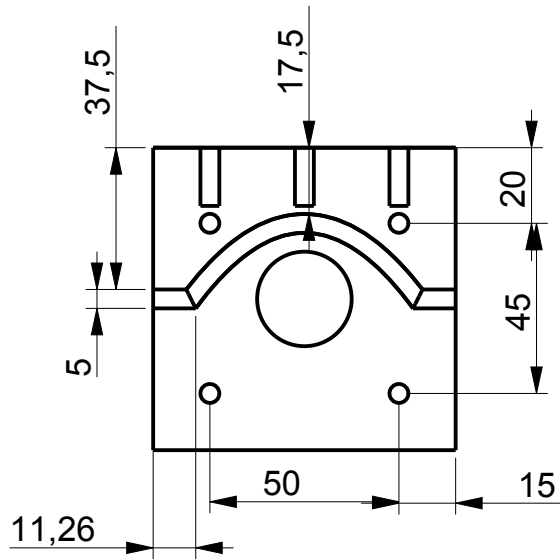
ALL DIMENSIONS IN MM	QUANTITY: 1	DRAWN BY OSAMA SHAKEEL 13-MS-FT-AMD-03	UNIVERSITY OF ENGG AND TECH TAXILA		
	TOLERANCES LINEAR: ANGULAR:	MATERIAL: CARBIDE	DATE : 19 NOV 2014	PART NAME: CARBIDE ROD	
	FINISH:AS MACHINED	CHECKED BY	SCALE: 1	SHEET NO	2



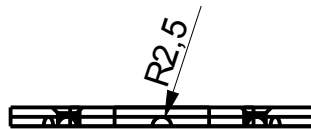
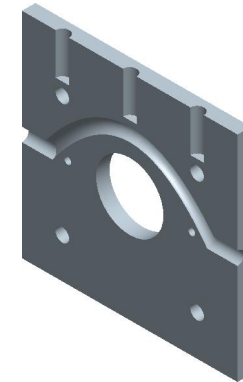
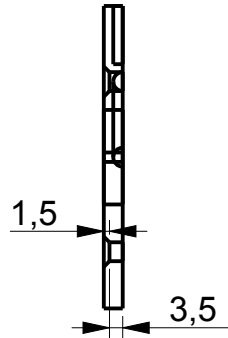
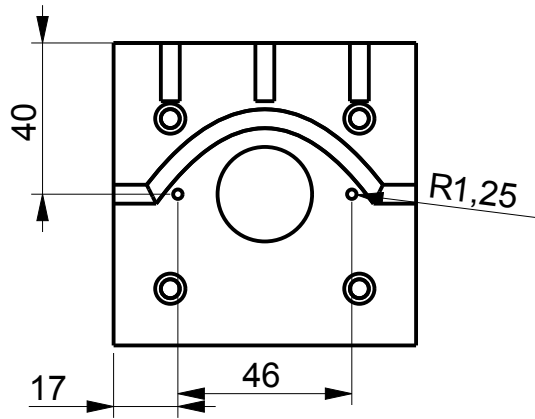
ALL DIMENSIONS IN MM	QUANTITY: 1	DRAWN BY OSAMA SHAKEEL 13-MS-FT-AMD-03	UNIVERSITY OF ENGG AND TECH TAXILA	
	TOLERANCES LINEAR: ANGULAR:	MATERIAL: ALUMINUM	DATE : 19 NOV 2014	PART NAME: COOLING JACKET
	FINISH:AS MACHINED	CHECKED BY	SCALE: 1	SHEET NO 3



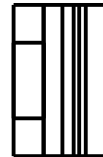
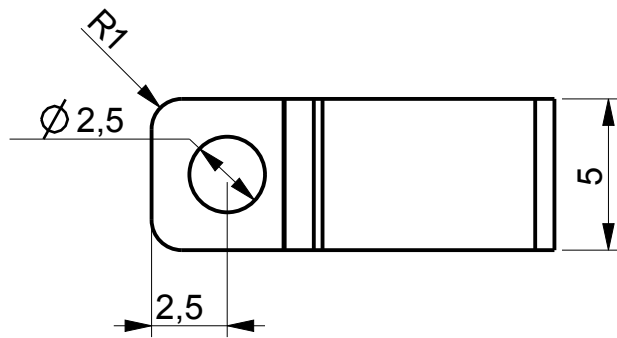
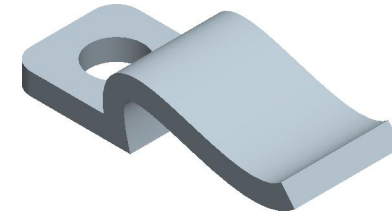
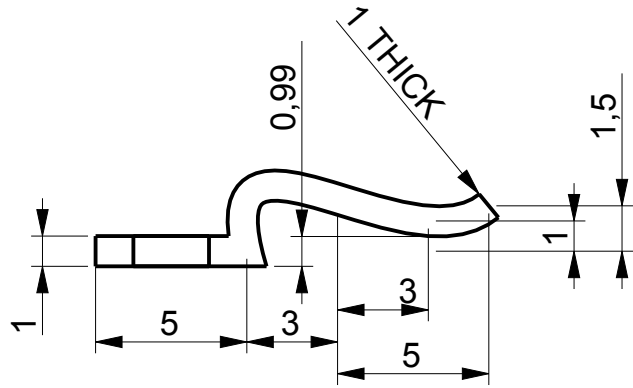
ALL DIMENSIONS IN MM	QUANTITY: 1	DRAWN BY OSAMA SHAKEEL 13-MS-FT-AMD-03	UNIVERSITY OF ENGG AND TECH TAXILA		
	TOLERANCES LINEAR: ANGULAR:	MATERIAL: HSS	DATE : 19 NOV 2014	PART NAME: DISC	
	FINISH:AS MACHINED	CHECKED BY	SCALE: 2	SHEET NO	4



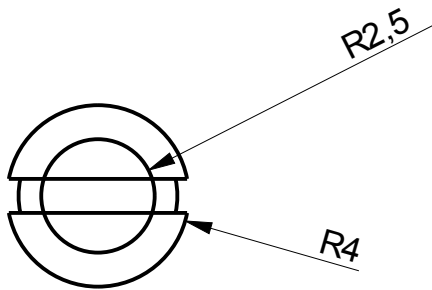
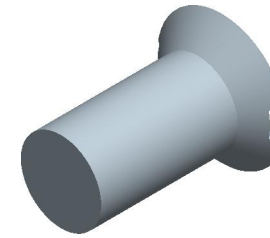
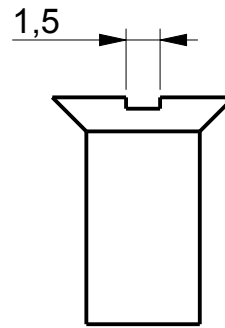
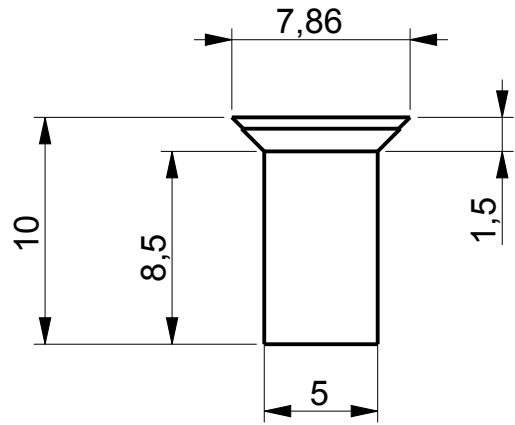
ALL DIMENSIONS IN MM	QUANTITY: 1	DRAWN BY OSAMA SHAKEEL 13-MS-FT-AMD-03	UNIVERSITY OF ENGG AND TECH TAXILA	
	TOLERANCES LINEAR: ANGULAR:	MATERIAL: ALUMINUM	DATE : 19 NOV 2014	PART NAME: DISC BED LOWER
	FINISH:AS MACHINED	CHECKED BY	SCALE: 0.5	SHEET NO 5



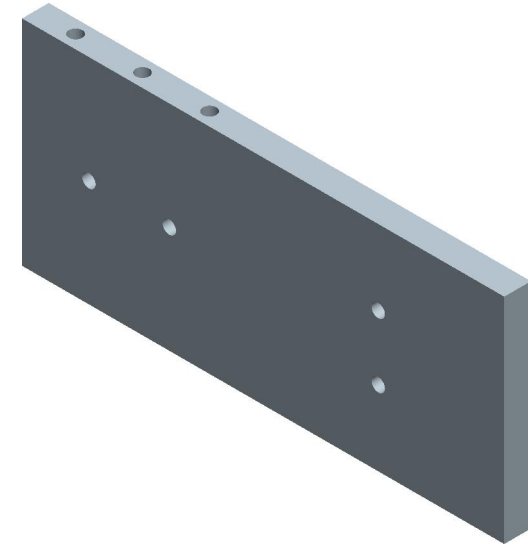
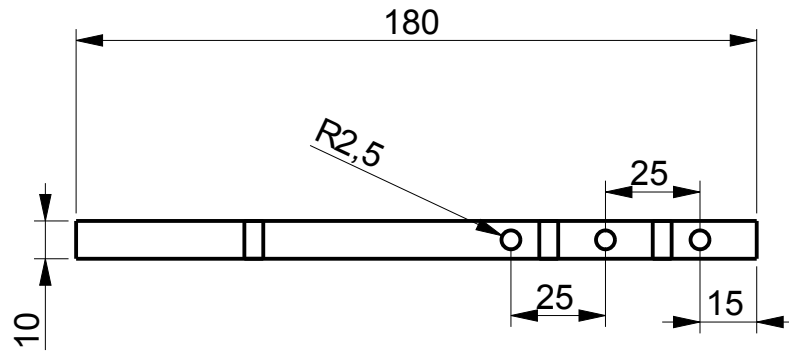
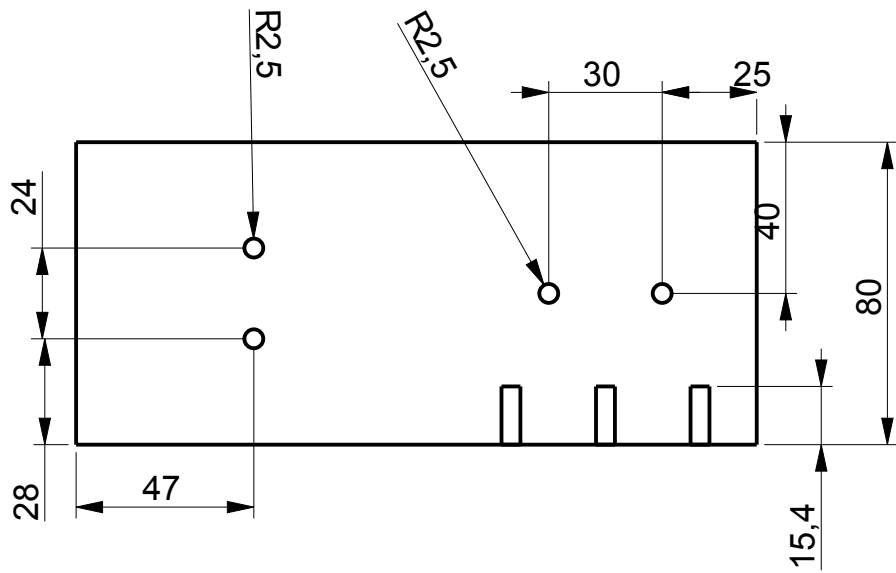
ALL DIMENSIONS IN MM	QUANTITY: 1	DRAWN BY OSAMA SHAKEEL 13-MS-FT-AMD-03	UNIVERSITY OF ENGG AND TECH TAXILA	
	TOLERANCES LINEAR: ANGULAR:	MATERIAL: ALUMINUM	DATE : 19 NOV 2014	PART NAME:DISC BED UPPER
	FINISH:AS MACHINED	CHECKED BY	SCALE: 0.5	SHEET NO 6



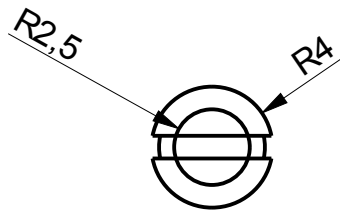
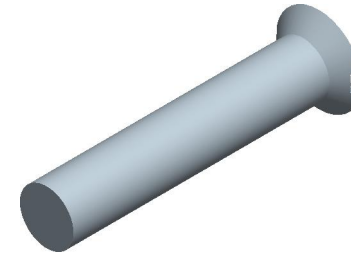
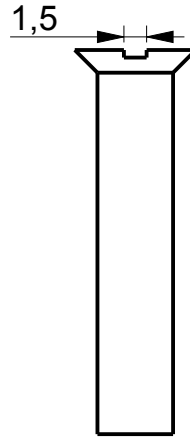
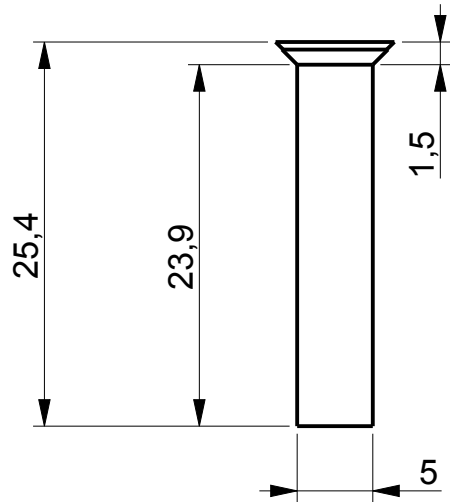
ALL DIMENSIONS IN MM	QUANTITY: 2	DRAWN BY OSAMA SHAKEEL 13-MS-FT-AMD-03	UNIVERSITY OF ENGG AND TECH TAXILA	
		DATE : 19 NOV 2014	PART NAME: DISC CLAMP	
TOLERANCES LINEAR: ANGULAR:	MATERIAL: ALUMINUM	CHECKED BY	SCALE: 4	SHEET NO
	FINISH:AS MACHINED			7



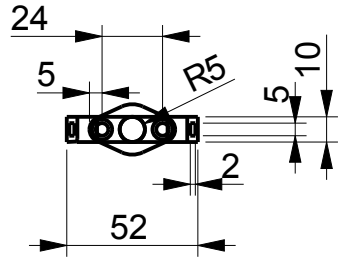
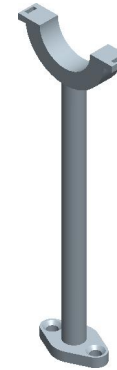
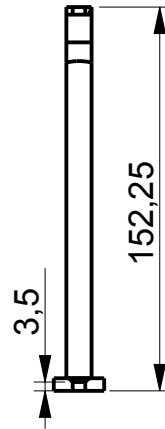
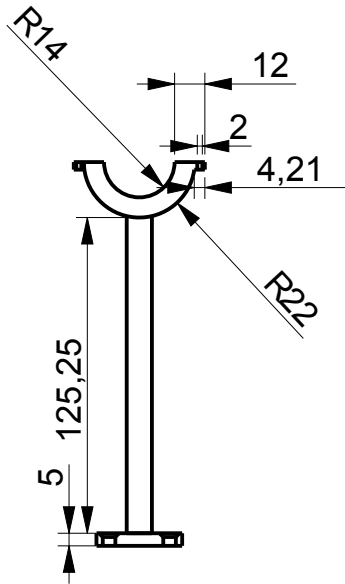
ALL DIMENSIONS IN MM	QUANTITY: 4	DRAWN BY OSAMA SHAKEEL 13-MS-FT-AMD-03	UNIVERSITY OF ENGG AND TECH TAXILA	
	TOLERANCES LINEAR: ANGULAR:	MATERIAL:	DATE : 19 NOV 2014	PART NAME:DISC PLATES SCREW
	FINISH:AS MACHINED	CHECKED BY	SCALE: 3	SHEET NO 8



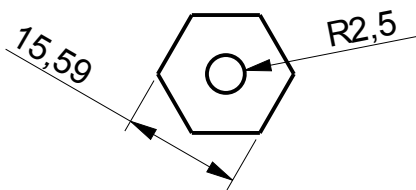
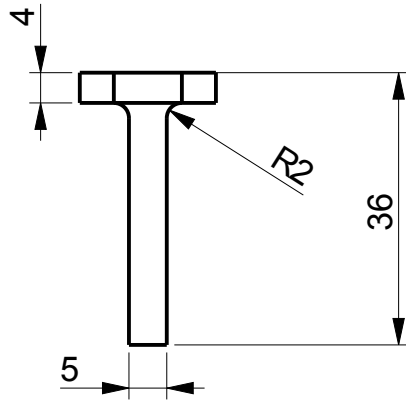
ALL DIMENSIONS IN MM	QUANTITY: 1	DRAWN BY OSAMA SHAKEEL 13-MS-FT-AMD-03	UNIVERSITY OF ENGG AND TECH TAXILA	
	TOLERANCES LINEAR: ANGULAR:	MATERIAL: ALUMINUM	DATE : 19 NOV 2014	PART NAME:MAIN BED
	FINISH:AS MACHINED	CHECKED BY	SCALE: 0.5	SHEET NO 9



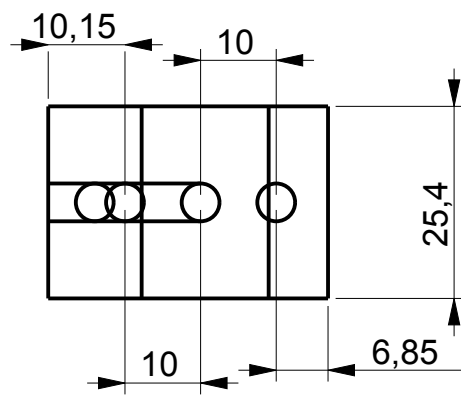
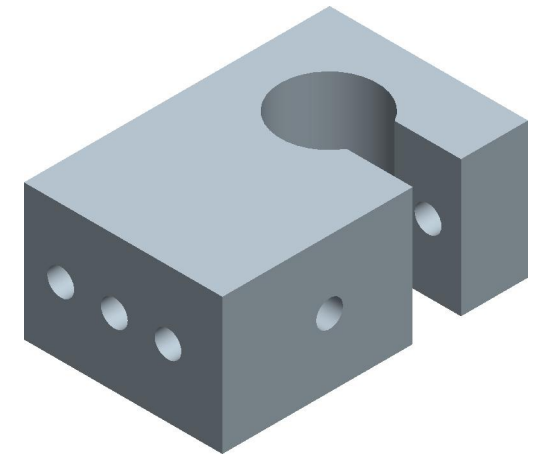
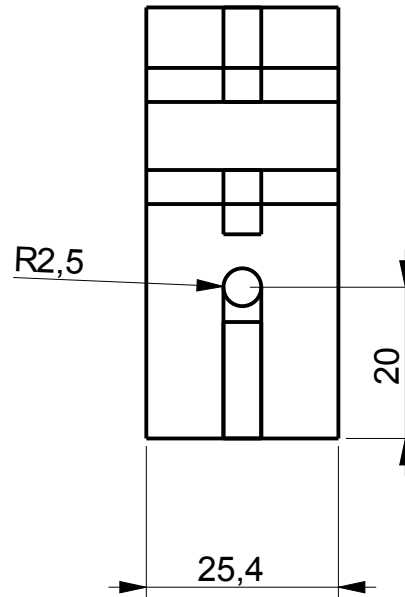
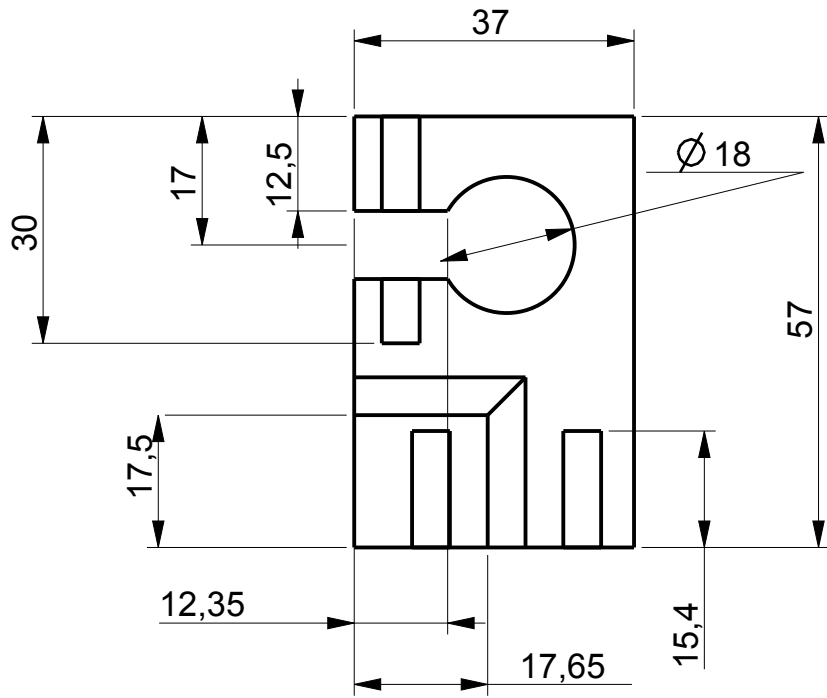
ALL DIMENSIONS IN MM	QUANTITY: 8	DRAWN BY OSAMA SHAKEEL 13-MS-FT-AMD-03	UNIVERSITY OF ENGG AND TECH TAXILA		
	TOLERANCES LINEAR: ANGULAR:	MATERIAL:	DATE : 19 NOV 2014	PART NAME: MAIN SCREW	
	FINISH:AS MACHINED	CHECKED BY	SCALE: 2	SHEET NO	10



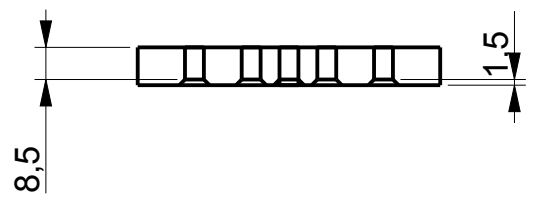
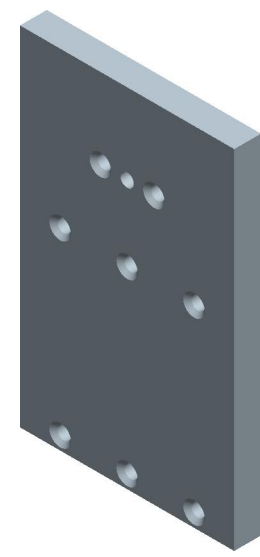
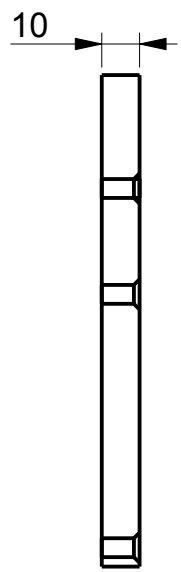
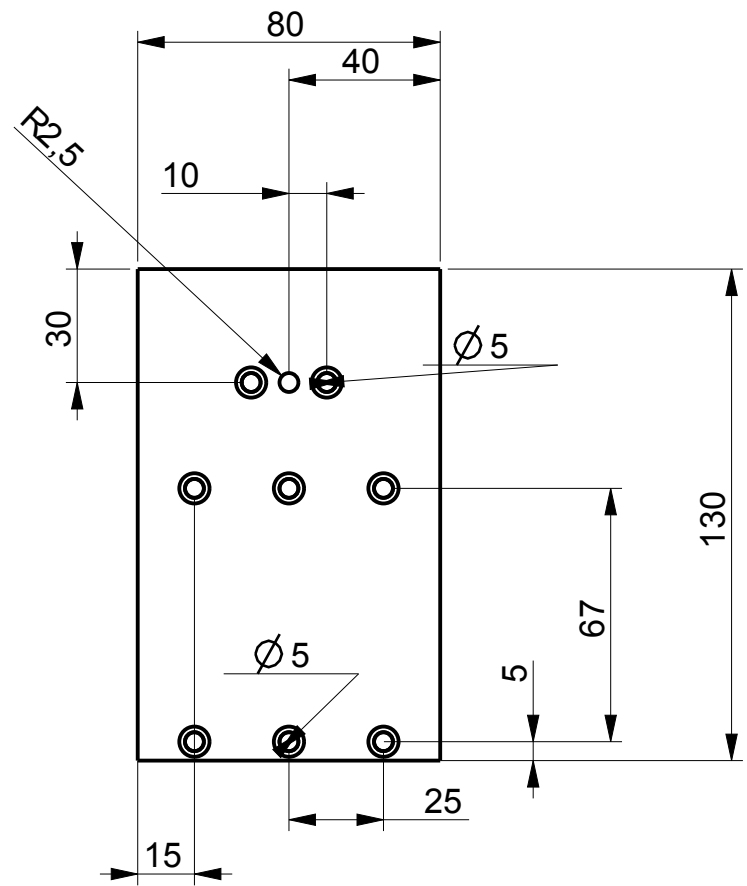
ALL DIMENSIONS IN MM	QUANTITY: 1	DRAWN BY OSAMA SHAKEEL 13-MS-FT-AMD-03	UNIVERSITY OF ENGG AND TECH TAXILA	
		DATE : 19 NOV 2014	PART NAME: TORCH CLAMP	
TOLERANCES LINEAR: ANGULAR:	MATERIAL: ALUMINUM	CHECKED BY	SCALE:0.333	SHEET NO
	FINISH:AS MACHINED			11



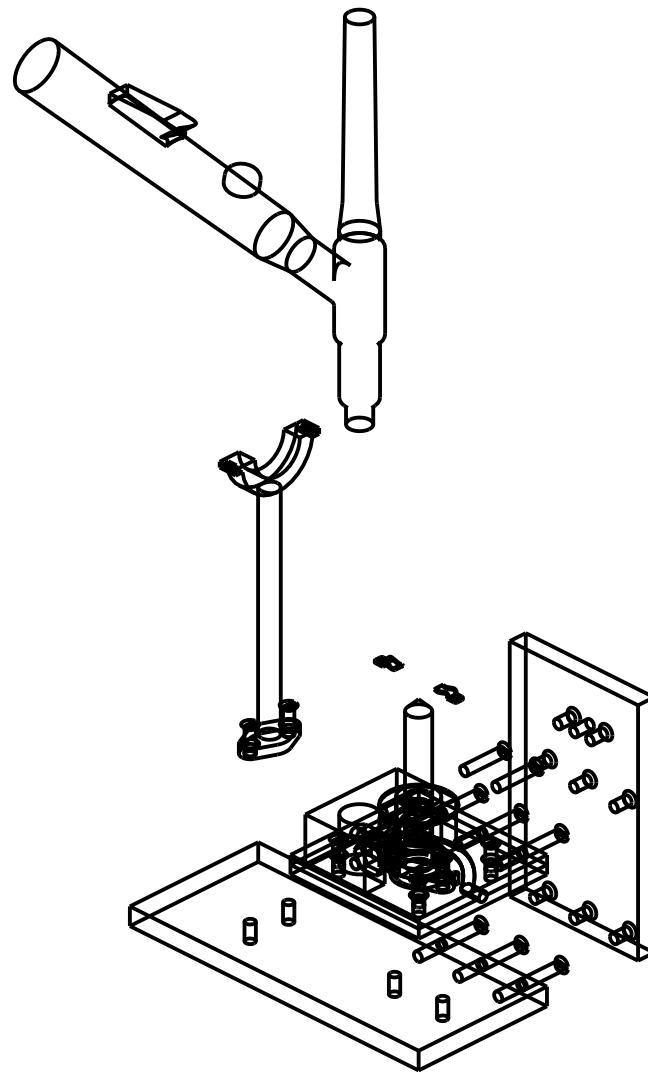
ALL DIMENSIONS IN MM	QUANTITY: 1	DRAWN BY OSAMA SHAKEEL 13-MS-FT-AMD-03	UNIVERSITY OF ENGG AND TECH TAXILA		
	TOLERANCES LINEAR: ANGULAR:	MATERIAL: ALUMINUM	DATE : 19 NOV 2014	PART NAME: TORCH GRIP BOLT	
	FINISH:AS MACHINED	CHECKED BY	SCALE: 1	SHEET NO	12



ALL DIMENSIONS IN MM	QUANTITY: 1	DRAWN BY OSAMA SHAKEEL 13-MS-FT-AMD-03	UNIVERSITY OF ENGG AND TECH TAXILA		
	TOLERANCES LINEAR: ANGULAR:	MATERIAL: ALUMINUM	DATE : 19 NOV 2014	PART NAME: TORCH SUPPORT	
	FINISH:AS MACHINED	CHECKED BY	SCALE: 1	SHEET NO	13



ALL DIMENSIONS IN MM	QUANTITY: 1	DRAWN BY OSAMA SHAKEEL 13-MS-FT-AMD-03	UNIVERSITY OF ENGG AND TECH TAXILA		
	TOLERANCES LINEAR: ANGULAR:	MATERIAL: ALUMINUM	DATE : 19 NOV 2014	PART NAME: WALL	
	FINISH:AS MACHINED	CHECKED BY	SCALE: 0.5	SHEET NO	14



ALL DIMENSIONS IN MM		DRAWN BY OSAMA SHAKEEL 13-MS-FT-AMD-03	UNIVERSITY OF ENGG AND TECH TAXILA	
	TOLERANCES LINEAR: ANGULAR:	MATERIAL:	DATE : 19 NOV 2014	PART NAME:MAIN ASSEMBLY
	FINISH:AS MACHINED	CHECKED BY	SCALE: 0.3	SHEET NO 15